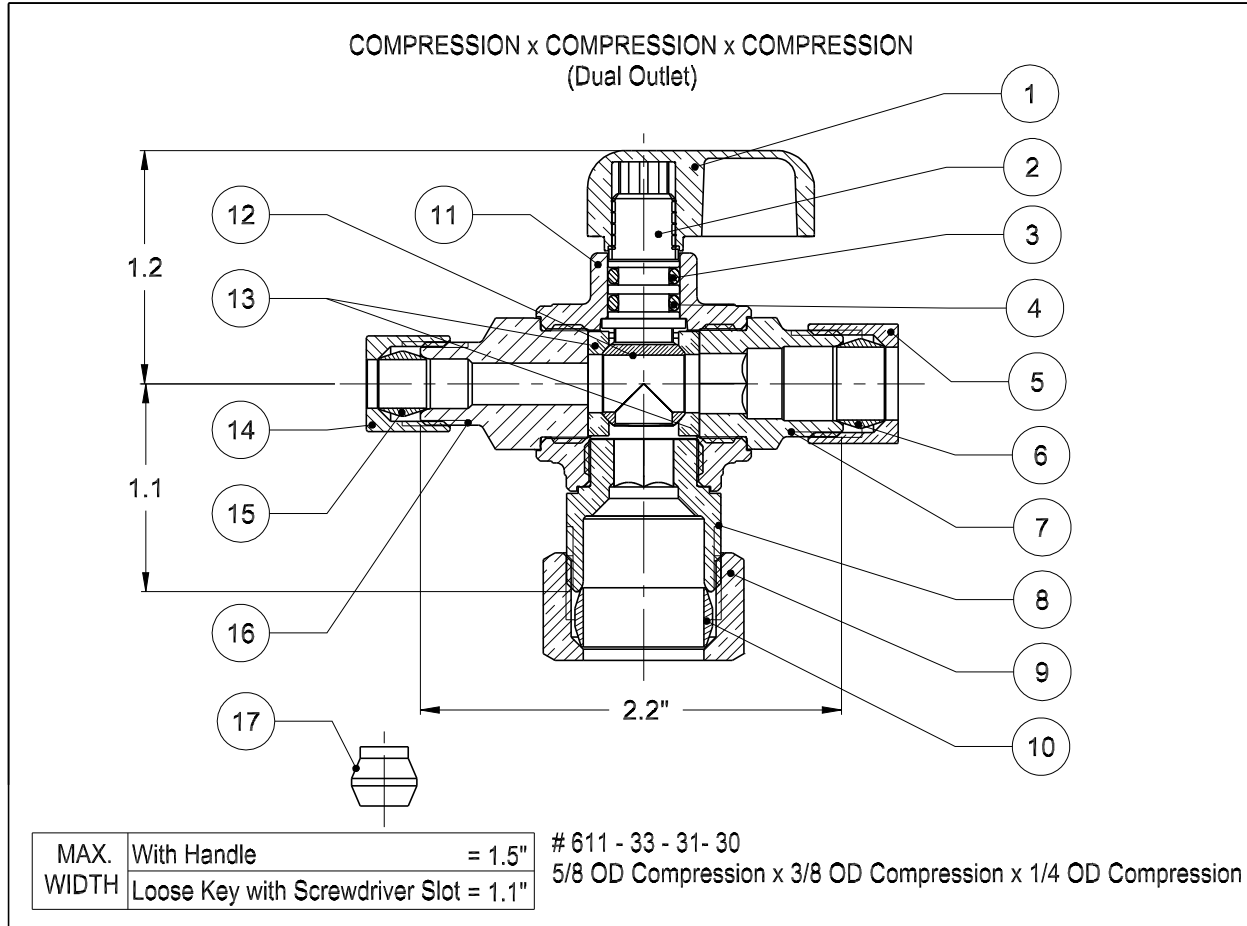


dahl-ECO mini-ball™ Valve

Lead-Free Compliant Plumbing

TDS - 676
New Jul/15



- | | |
|---|---|
| <ul style="list-style-type: none"> 1. Handle - Nickel Plated Zinc 2. Spindle - Nickel Plated Brass 3. O-ring - EPDM 4. O-ring - Fluorocarbon (FKM) 5. Nut - 3/8 OD Compression - Plated Brass 6. Tapered Sleeve - Brass 7. End - 3/8 OD Compression - Nickel Plated Brass 8. End - 5/8 OD Compression - Nickel Plated Brass 9. Nut - 5/8 OD Compression - Plated Brass | <ul style="list-style-type: none"> 10. Tapered Sleeve - Brass 11. Body - Chrome Plated Brass 12. Ball - Plated Brass 13. Seals - PTFE 14. Nut - 1/4 OD Compression - Plated Brass 15. Tapered Sleeve - Brass 16. End - 1/4 OD Compression - Nickel Plated Brass 17. Plug - 1/4 OD Compression - Brass |
|---|---|

Working Pressure: 250 psi / 250°F
depending on pipe material.

UL, UPC[®]
 NSF / ANSI 61-G
 NSF / ANSI 372

Designed and Manufactured in
Canada

Also available: Loose Key with Screwdriver Slot operation



dahl brothers canada limited

2600 S. SHERIDAN WAY, MISSISSAUGA, ON, CANADA L5J 2M4
 905-822-2330 CAN 800-268-5355 U.S. 800-268-2363
 FAX(905) 855-1450, USA AND CANADA 800-226-1801
sales@dahlvalve.com www.dahlvalve.com

We reserve the right to alter prices and/or technical details without notice